



YOU-RISTA



Cleaning

You will need:

- 🕒 about 5 minutes
- ✓ 1 Qbo cleaning capsule
- ✓ 1 container (at least 500 ml)
- ✓ fresh, cold water
- 🔄 clean the YOU-RISTA every 1 to 2 months

CLEANING



Read the safety warnings carefully before using and only use the product as described in these instructions to avoid accidental injury or damage.



WARNING — danger to health due to cleaning solution

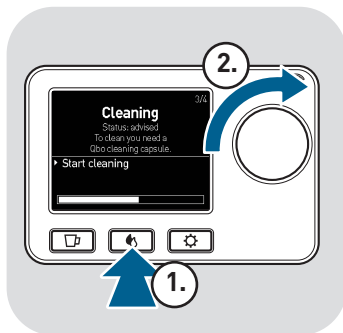
Take care not to interrupt the cleaning process, as otherwise residue from the cleaning solution may stay in the machine. If the cleaning process is interrupted for whatever reason, the machine must be thoroughly rinsed before being used again in order to avoid health risks. Follow the instructions as displayed to do so. The machine will not be able to brew coffee again until the process is completed.


Why do I need to clean my machine?

Coffee oils build up in the brewing chamber and coffee spout when the machine is used regularly. The Qbo cleaning capsules remove these oils. This keeps your coffee tasting its best and most authentic.

When do I need to clean my machine?

For average coffee consumption, it's usually enough to clean the YOU-RISTA about once a month. You can find out the current "Cleaning status" of the machine in the maintenance menu:





- ▷ Press the maintenance menu button  (1.).
- ▷ Select the menu option **Cleaning** (2.).


From here you can start the cleaning process manually. However, this is generally not necessary as the machine will automatically notify you...

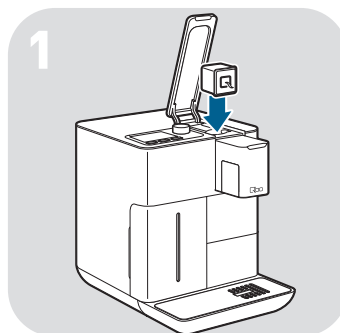


... in the display when it needs to be cleaned.

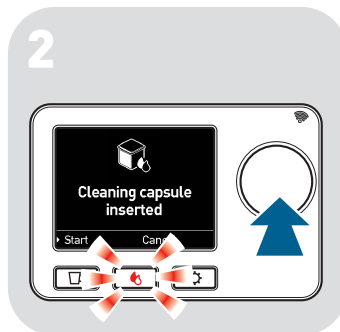
The maintenance menu button  will also light up red. If you do not start the cleaning process, the maintenance menu button  will remain red until the cleaning process is carried out.



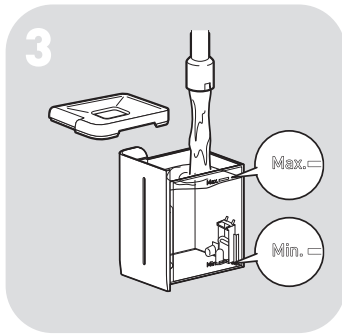
- Have the Qbo App remind you to clean your machine – activate the App's push notification.
- If the water tank is not filled up to the max. mark, you may have to refill it during the cleaning process. Follow the instructions as displayed.
- The drip tray needs to be emptied before starting the cleaning process. If the drip tray fills up, you will have to empty it again during the cleaning process. Follow the instructions as displayed.
- If the container does not have a capacity of at least 500 ml, this will also have to be emptied during the cleaning process.
- The Qbo cleaning capsules are phosphate-free.
- To clean the machine, simply insert a Qbo cleaning capsule and follow the steps below. You can also start the cleaning process from the maintenance menu. To do so, press the maintenance menu button  (lit up red), select the **Cleaning** menu option and follow the instructions as displayed.



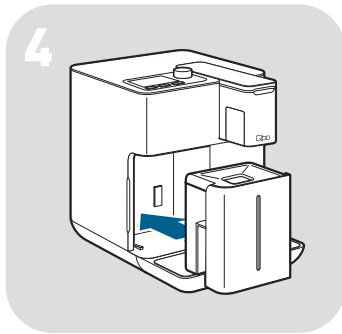
- ▷ Insert a Qbo cleaning capsule in the machine.



- ▷ Press the dial to select **Start**.

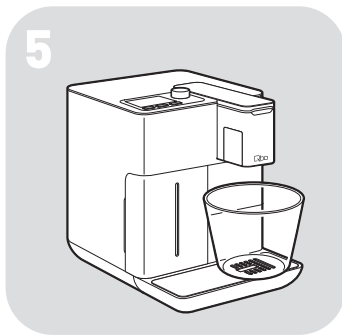


- ▷ Fill the water tank with fresh, clear tap water up to the max. mark.



- ▷ Slide the water tank back into the machine as far as it will go.

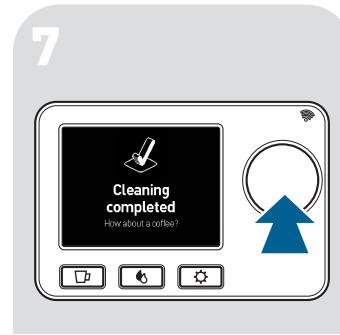
i The water tank must be fully inserted. Only then will the machine automatically proceed to the next step.




- ▷ Place a large container (min. 500 ml) under the coffee spout. Remember that the cleaning process cannot be interrupted!



- ▷ Press the dial to start the cleaning process.



As soon as “Cleaning completed” is displayed, the cleaning process is finished. The red maintenance menu button  goes out.

- ▷ To return to the drinks menu, press the dial or wait about 3 seconds.